

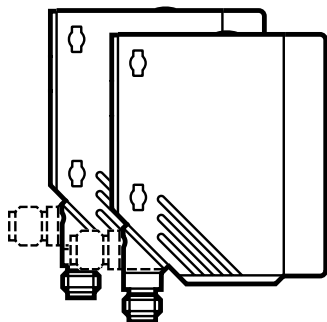


CE

Installation instructions
Through-beam sensor

UK

O4S2xx / O4E2xx

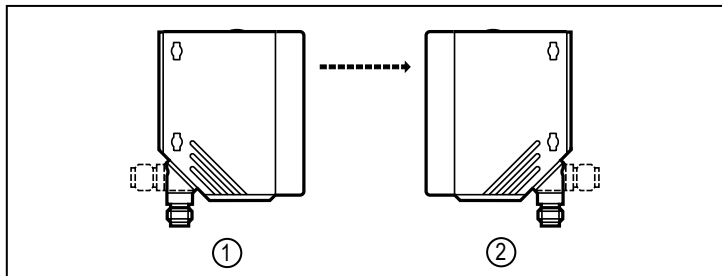


Functions and features

The through-beam sensor detects objects and materials without contact and indicates their presence by a switched signal.

Range: 50 m.

Installation



1: Transmitter

2: Receiver

Mount the receiver (O4E ...) by means of a mounting fixture. Then align the transmitter (O4S ...) to the receiver and fix it in the same way.

Maximum range is only achieved with precise alignment.

Electrical connection



Disconnect power before connecting the sensor. Connection strictly to the indications on the type label.

Operation

Check the safe functioning of the sensor.

- The green LED (transmitter) lights when the unit is ready for operation.
- The yellow LED lights (receiver) when the switching output is switched.

Maintenance

Keep the lens of the sensor free from soiling. For cleaning do not use any solvents or cleaning agents which could damage the plastic lenses.

